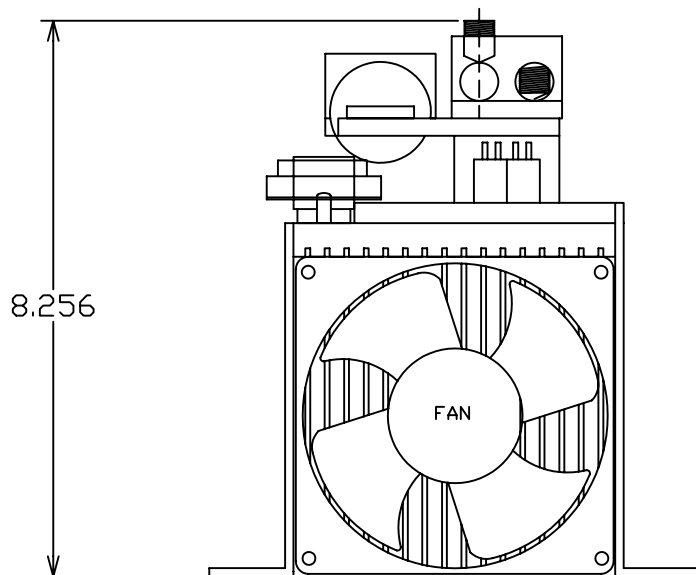
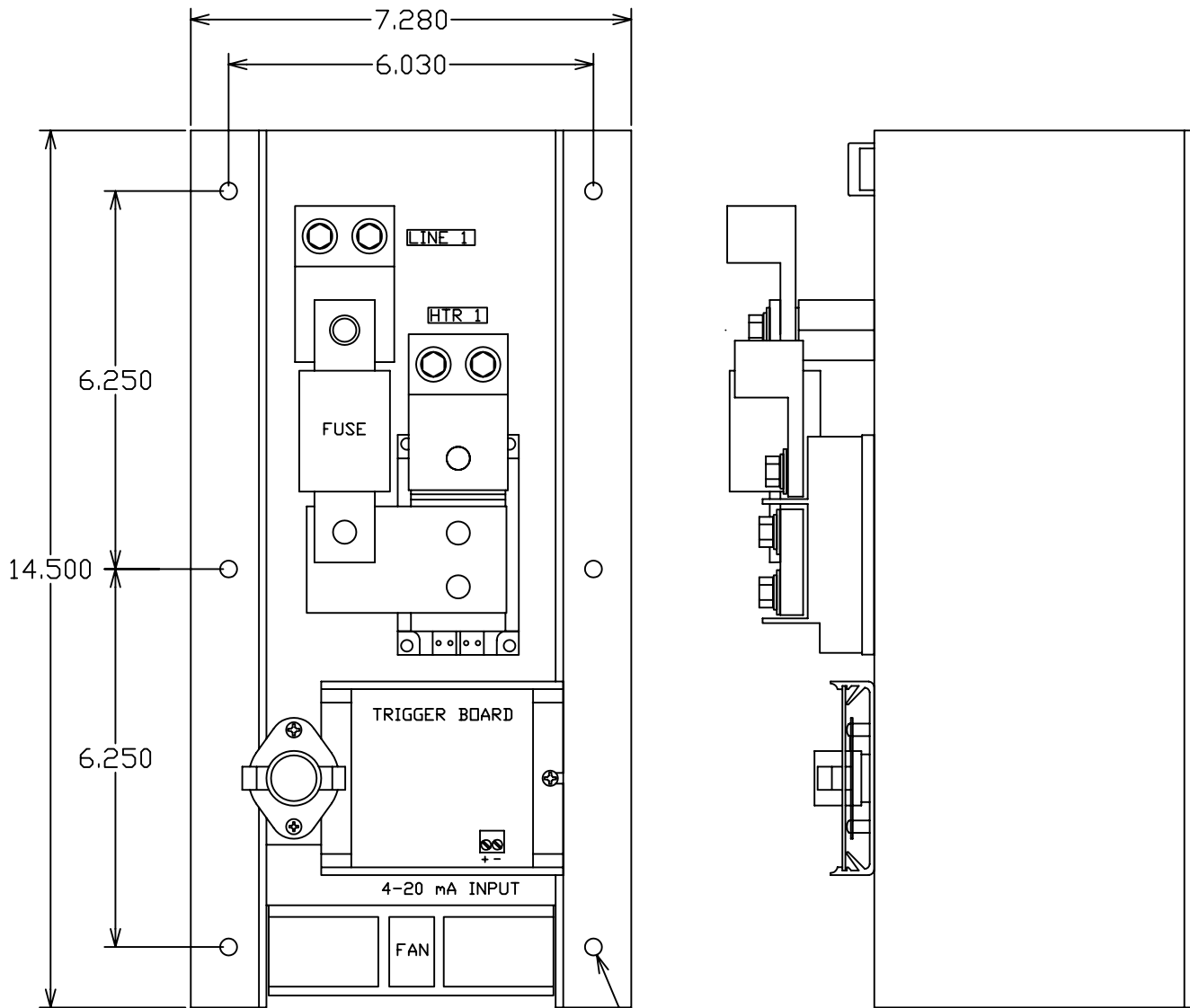


PHYSICAL DIMENSIONS

A1Z - 350 AMP



(6) MOUNTING HOLE DIAMETER 0.275"