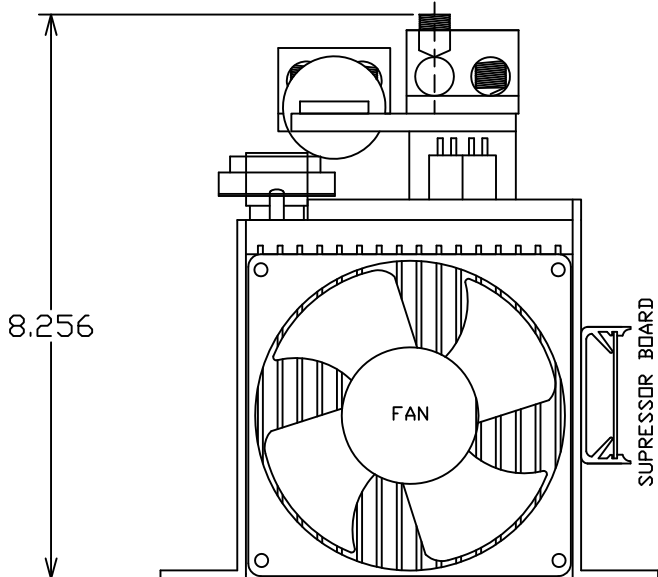
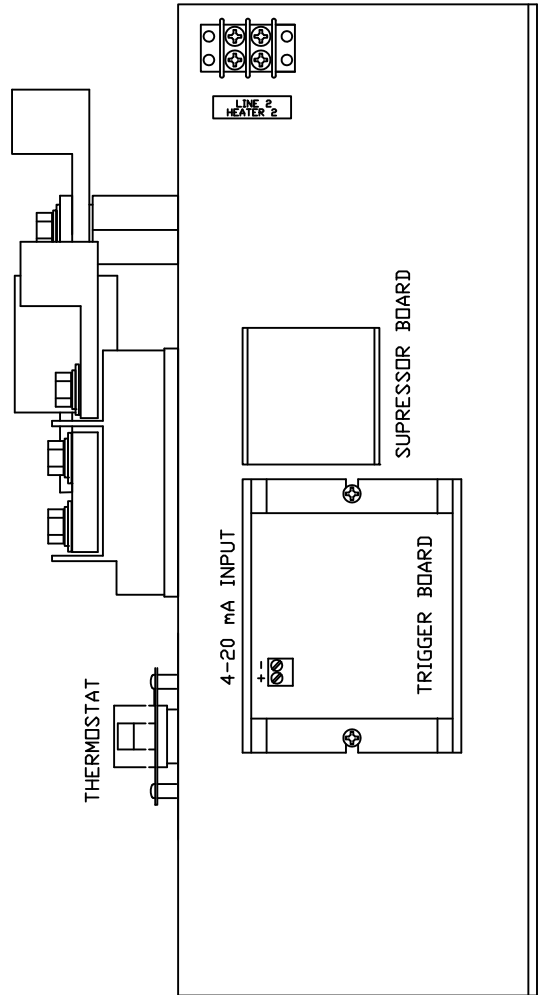
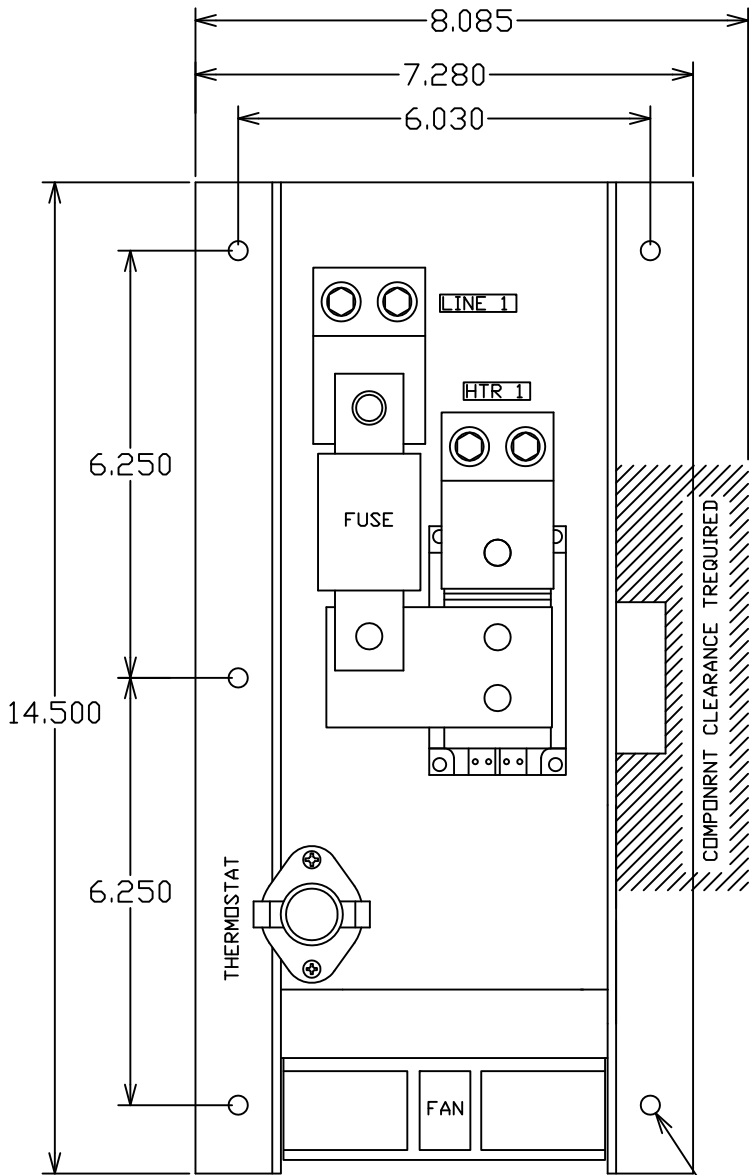


PHYSICAL DIMENSIONS

A1P - 350 AMP



(6) MOUNTING HOLE DIAMETER 0.275"